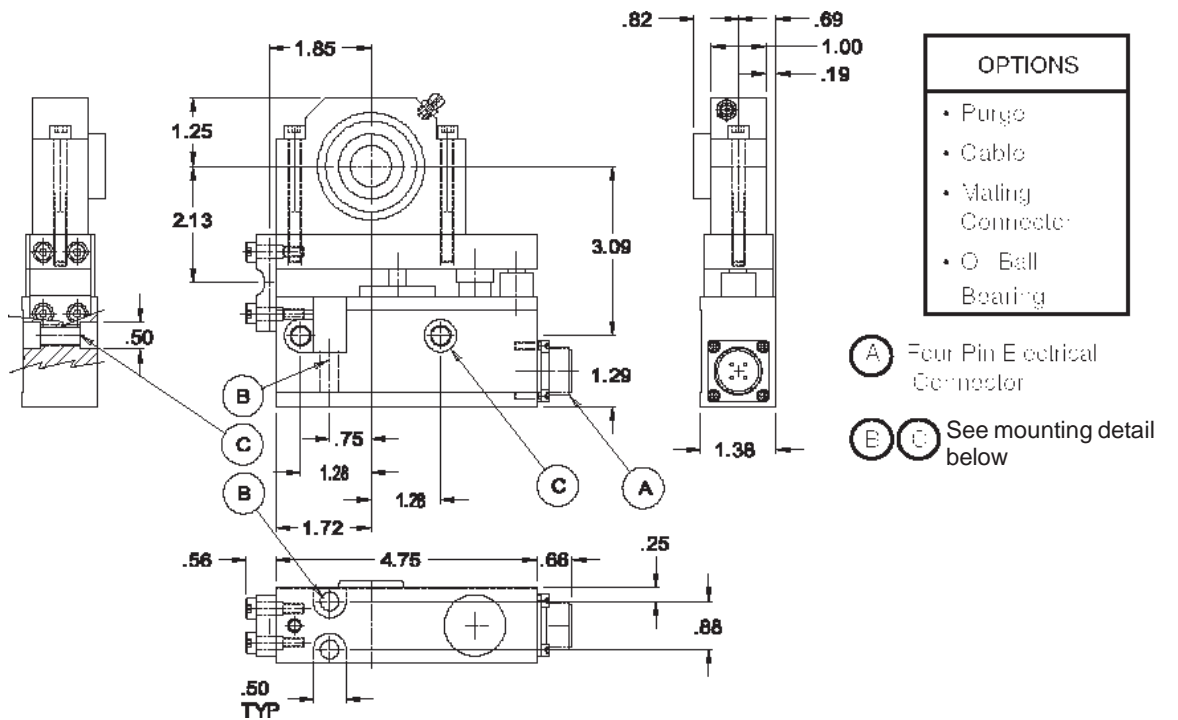


BC20 ROTATING SHAFT MOUNTING

MODEL B20	CAPACITY RANGE - POUNDS						
NOMINAL	0-4	0-8	0-13	0-20	0-30	0-50	0-90
CODE	L	M	N	P	S	T	U

MODEL B30	SHAFT DIAMETER - INCHES									
INCHES	1/2	5/8	3/4	7/8	1.0	1-1/8	1-1/4	1-3/8	1-7/16	1-1/2
CODE	8	10	12	14	16	18	20	22	23	24



Mounting Detail B & C

Base Mount

11/32 (.344) diameter hole to receive 5/16 diameter socket head cap screw. Two (2) required.

Wall Mount

Q (.322) diameter hole with counterbore for recessed head to receive 5/16 diameter socket head cap screw. Two (2) required for Wall Mount. Hole also tapped for Alternate Reverse Wall Mount to receive 3/8-24 UNF bolt. Two (2) required.

The information contained in this document is subject to change without notice. Comptrol has made effort to ensure the accuracy and completeness of the descriptions and procedures discussed in this document. Failure to comply with these procedures may result in personal injury, or damage to the Comptrol product or the equipment used in conjunction with it.

Comptrol assumes no liability for incidental or consequential personal or equipment damages arising from the use of this document, the software and hardware described, or failure to comply with the procedures contained in this document.

Note that protective covers or guarding may not be shown in some illustrations to provide a clearer view of specific components or assemblies. All protective covers and guarding must be installed before operating the unit.

Reproduction, copying, or the disclosure to any third party for any unauthorized purpose of the contents or software contained or described in this document is prohibited with written authorization from Comptrol. Violators will be prosecuted.