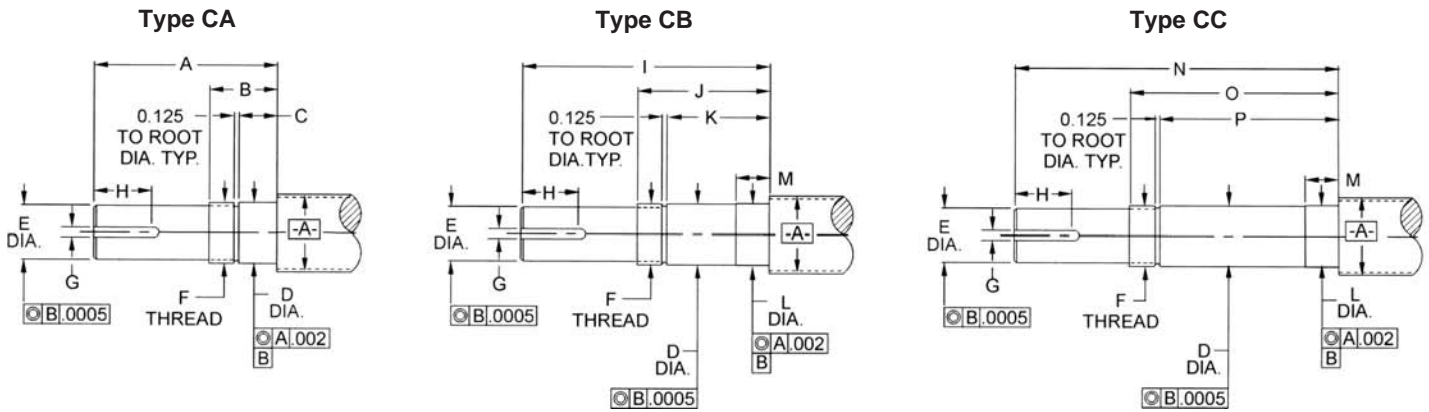
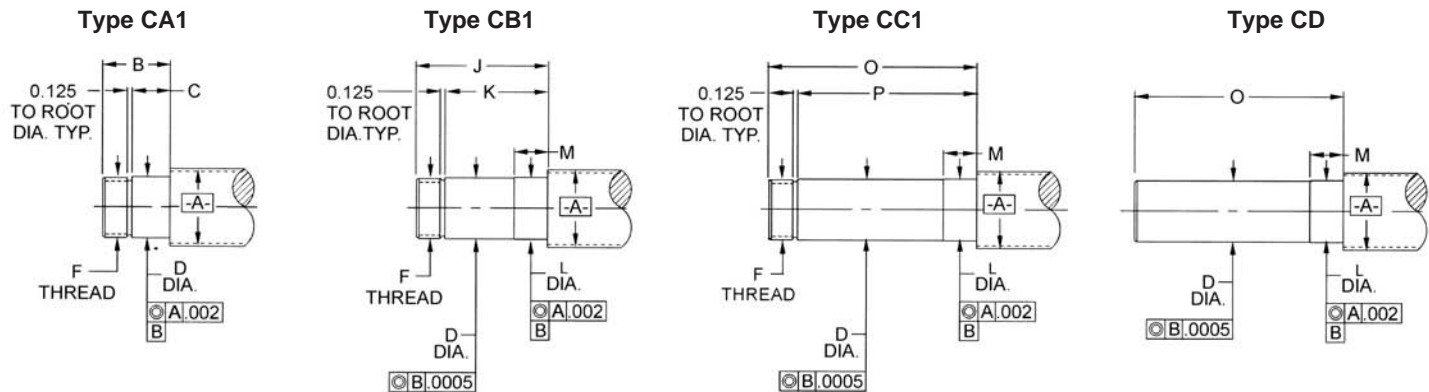


Driven End



Non-Driven End



End Journal Dimensions

SCREW DIAMETER	A	B	C	D	E	F	G	H	I	J	K	L	M	N	O	P
0.625	2.10	.812	.331	<u>.4726</u> .4723	<u>.406</u> .405	.469-32 THD/IN	.125	.625	3.00	1.70	1.225	<u>.4756</u> .4753	.500	3.79	2.49	2.014
0.750	2.48	.940	.449	<u>.5908</u> .5905	<u>.500</u> .499	.586-32 THD/IN	.125	.625	3.54	2.08	1.586	<u>.6153</u> .6150	.625	4.60	3.22	2.728
1.000	2.63	1.040	.489	<u>.7877</u> .7873	<u>.625</u> .624	.781-32 THD/IN	.187	.625	3.88	2.23	1.665	<u>.8122</u> .8119	.625	5.13	3.51	2.964
1.130	2.96	1.125	.528	<u>.9846</u> .9842	<u>.750</u> .749	.969-32 THD/IN	.187	1.000	4.33	2.46	1.869	<u>1.0006</u> 1.0003	.750	5.46	3.64	3.050
1.500	2.96	1.150	.567	<u>1.1814</u> 1.1810	<u>1.000</u> 0.999	1.17-18 THD/IN	.250	1.000	4.33	2.53	1.947	<u>1.2059</u> 1.2056	.750	6.21	4.33	3.758
2.000	3.94	1.300	.646	<u>1.5752</u> 1.5747	<u>1.375</u> 1.374	1.56-18 THD/IN	.312	1.500	5.50	2.88	2.230	<u>1.5997</u> 1.5994	.875	7.88	5.31	4.671
2.250	4.25	1.540	.922	<u>1.7721</u> 1.7716	<u>1.375</u> 1.374	1.76-18 THD/IN	.312	1.500	6.00	3.40	2.781	<u>1.7966</u> 1.7963	.875	7.88	5.37	4.749
2.500	4.50	1.470	.764	<u>2.1659</u> 2.1653	<u>1.875</u> 1.874	2.15-18 THD/IN	.500	1.500	6.13	3.18	2.446	<u>2.1904</u> 2.1901	.875	9.26	6.28	5.576
3.000	5.50	1.875	1.158	<u>2.3627</u> 2.3621	<u>2.250</u> 2.249	2.36-18 THD/IN	.500	2.000	7.50	3.97	3.254	<u>2.3872</u> 2.3869	.875	10.13	6.42	5.695

Notes

1. All dimensions in inches unless otherwise specified.
2. Refer to Page 3 for Nominal Load Capacities.
3. If the same type bearing block is used on both ends, the load is shared unless one end has a Type CD journal.
4. Custom and metric bearing block assemblies and/or drive end journals are available.
5. Dimensions and specifications subject to change without notice.

