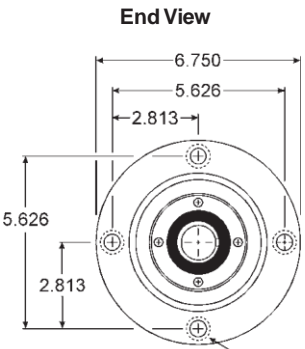
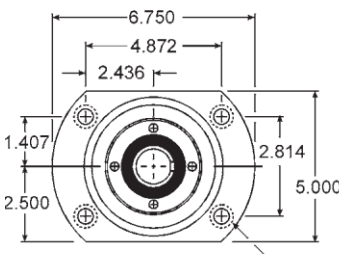
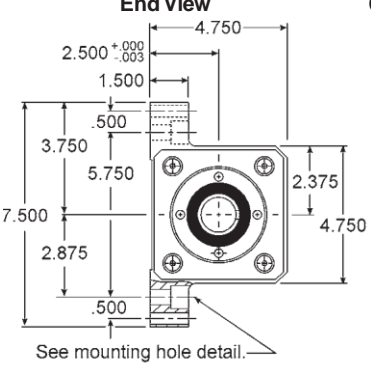


Flange Mount	Model	Shaft End	Model	Shaft End	Model	Shaft End
 <p>End View</p> <p>See mounting hole detail.</p>	66-205-A	Driven	66-205-B	Driven	66-205-C	Driven
	66-205-A1	Non-Driven	66-205-B1	Non-Driven	66-205-C1	Non-Driven

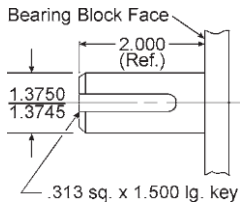
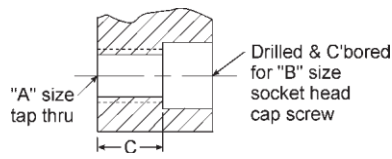
Note: For each Type A or A1 bearing block required, add .250" to ballscrew thread length.

Cut-Off Flange Mount	Model	Shaft End	Model	Shaft End	Model	Shaft End
 <p>End View</p> <p>See mounting hole detail.</p>	66-305-A	Driven	66-305-B	Driven	66-305-C	Driven
	66-305-A1	Non-Driven	66-305-B1	Non-Driven	66-305-C1	Non-Driven

Note: For each Type A or A1 bearing block required, add .250" to ballscrew thread length.

Base Mount	Model	Shaft End	Model	Shaft End	Model	Shaft End
 <p>End View</p> <p>See mounting hole detail.</p>	66-405-A	Driven	66-405-B	Driven	66-405-C	Driven
	66-405-A1	Non-Driven	66-405-B1	Non-Driven	66-405-C1	Non-Driven

Note: For each Type A or A1 bearing block required, add .250" to ballscrew thread length.

Standard Drive Extension	Mounting Hole Detail	Model Number Designation
 <p>Bearing Block Face</p> <p>2.000 (Ref.)</p> <p>1.3750</p> <p>1.3745</p> <p>.313 sq. x 1.500 lg. key</p>	 <p>Drilled &amp; C'bored for "B" size socket head cap screw</p> <p>"A" size tap thru</p> <p>C</p>	<p><b>66 - X 0 5 - X X</b></p> <p><b>Bearing Block</b></p> <p><b>Mounting Style</b> 2 = Flange</p> <p>3 = Cut-Off Flange 4 = Base</p> <p><b>2.000 Diameter Ballscrew</b></p> <p><b>Shaft End</b> Blank = Driven 1 = Non-Driven</p> <p><b>Bearing Type</b> A = Radial B = Duplex C = Spaced</p>

Note: Special lengths available.

Mounting	A	B	C
Base	5/8-11	1/2-13	1.000
Flange & Cut-Off Flange	3/4-10	5/8-11	1.125

**Notes**

- All dimensions in inches unless otherwise specified.
- Refer to Page 3 for Nominal Load Capacities.
- End journals must be machined per dimensions.
- Custom and metric bearing block assemblies and/or drive end journals are available.
- Dimensions and specifications subject to change without notice.