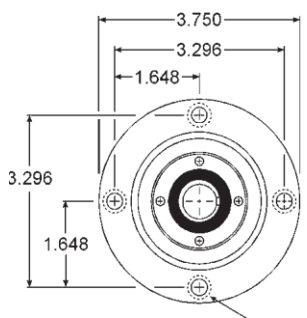
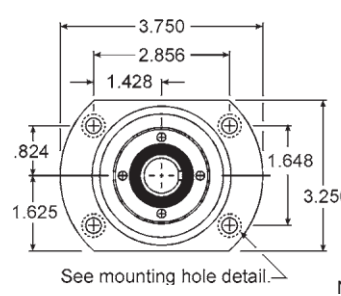
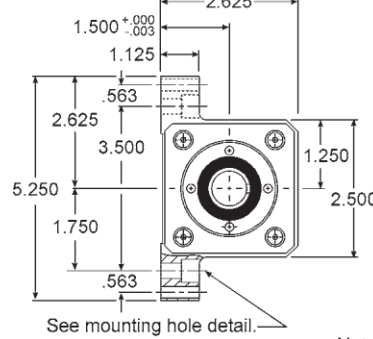


Flange Mount	Model	Shaft End	Model	Shaft End	Model	Shaft End
 <p>End View</p>	66-203-A	Driven	66-203-B	Driven	66-203-C	Driven
	66-203-A1	Non-Driven	66-203-B1	Non-Driven	66-203-C1	Non-Driven

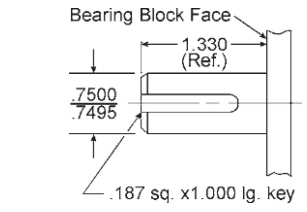
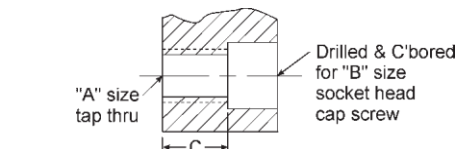
Note: For each Type A or A1 bearing block required, add .188" to ballscrew thread length.

Cut-Off Flange Mount	Model	Shaft End	Model	Shaft End	Model	Shaft End
 <p>End View</p>	66-303-A	Driven	66-303-B	Driven	66-303-C	Driven
	66-303-A1	Non-Driven	66-303-B1	Non-Driven	66-303-C1	Non-Driven

Note: For each Type A or A1 bearing block required, add .188" to ballscrew thread length.

Base Mount	Model	Shaft End	Model	Shaft End	Model	Shaft End
 <p>End View</p>	66-403-A	Driven	66-403-B	Driven	66-403-C	Driven
	66-403-A1	Non-Driven	66-403-B1	Non-Driven	66-403-C1	Non-Driven

Note: For each Type A or A1 bearing block required, add .188" to ballscrew thread length.

Standard Drive Extension	Mounting Hole Detail	Model Number Designation
 <p>Bearing Block Face 1.330 (Ref.) .7500 .7495 .187 sq. x 1.000 lg. key</p>	 <p>"A" size tap thru C Drilled & C'bored for "B" size socket head cap screw</p>	<p>66 - X 0 3 - X X</p> <p>Bearing Block</p> <p>Mounting Style 2 = Flange 3 = Cut-Off Flange 4 = Base</p> <p>Shaft End Blank = Driven 1 = Non-Driven</p> <p>Bearing Type A = Radial B = Duplex C = Spaced</p>

Mounting	A	B	C
Base	1/2-20	7/16-14	0.625
Flange & Cut-Off Flange	5/16-24	1/4-20	0.750

Note: Special lengths available.

- Notes**
- All dimensions in inches unless otherwise specified.
 - Refer to Page 3 for Nominal Load Capacities.
 - End journals must be machined per dimensions.
 - Custom and metric bearing block assemblies and/or drive end journals are available.
 - Dimensions and specifications subject to change without notice.