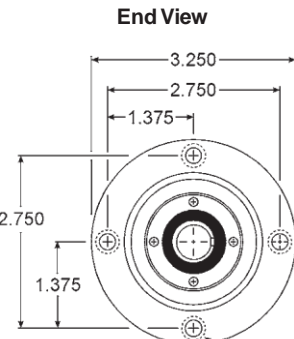
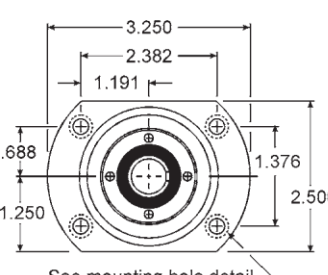
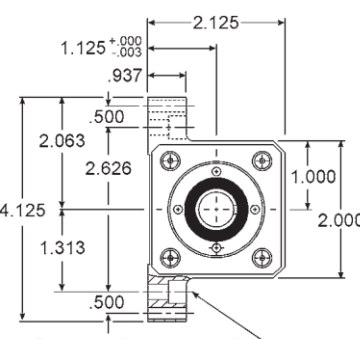


Flange Mount	Model	Shaft End	Model	Shaft End	Model	Shaft End
 <p>End View</p> <p>See mounting hole detail.</p>	66-201-A	Driven	66-201-B	Driven	66-201-C	Driven
	66-201-A1	Non-Driven	66-201-B1	Non-Driven	66-201-C1	Non-Driven

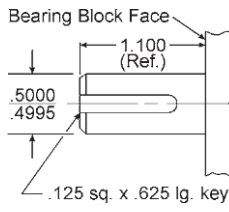
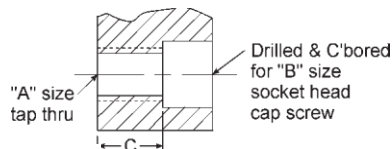
Note: For each Type A or A1 bearing block required, add .125" to ballscrew thread length.

Cut-Off Flange Mount	Model	Shaft End	Model	Shaft End	Model	Shaft End
 <p>End View</p> <p>See mounting hole detail.</p>	66-301-A	Driven	66-301-B	Driven	66-301-C	Driven
	66-301-A1	Non-Driven	66-301-B1	Non-Driven	66-301-C1	Non-Driven

Note: For each Type A or A1 bearing block required, add .125" to ballscrew thread length.

Base Mount	Model	Shaft End	Model	Shaft End	Model	Shaft End
 <p>End View</p> <p>See mounting hole detail.</p>	66-401-A	Driven	66-401B	Driven	66-401-C	Driven
	66-401-A1	Non-Driven	66-401-B1	Non-Driven	66-401-C1	Non-Driven

Note: For each Type A or A1 bearing block required, add .125" to ballscrew thread length.

Standard Drive Extension	Mounting Hole Detail	Model Number Designation
 <p>Bearing Block Face</p> <p>1.100 (Ref.)</p> <p>.5000 / .4995</p> <p>.125 sq. x .625 lg. key</p>	 <p>"A" size tap thru</p> <p>Drilled &amp; C'bored for "B" size socket head cap screw</p>	<p><b>66 - X 0 1 - X X</b></p> <p><b>Bearing Block</b></p> <p><b>Mounting Style</b> 2 = Flange</p> <p>3 = Cut-Off Flange 4 = Base</p> <p><b>.750 Diameter Ballscrew</b></p> <p><b>Shaft End</b> Blank = Driven 1 = Non-Driven</p> <p><b>Bearing Type</b> A = Radial B = Duplex C = Spaced</p>

Note: Special lengths available.

- Notes**
- All dimensions in inches unless otherwise specified.
  - Refer to Page 3 for Nominal Load Capacities.
  - End journals must be machined per dimensions on Page 13.
  - Custom and metric bearing block assemblies and/or drive end journals are available.
  - Dimensions and specifications subject to change without notice.